



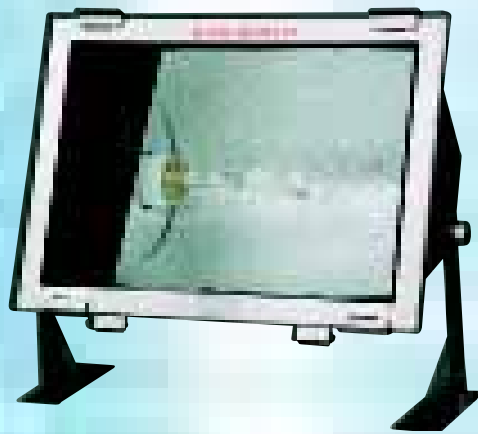
BAT54 series explosion-proof lighting is our latest updated, entitled with exclusive property right and related patents. It conforms to IEC, EN standard and 94/9/EC instruction.

BAT54 series lighting has passed type test by PCEC and has gained PCEC certificate of conformity.

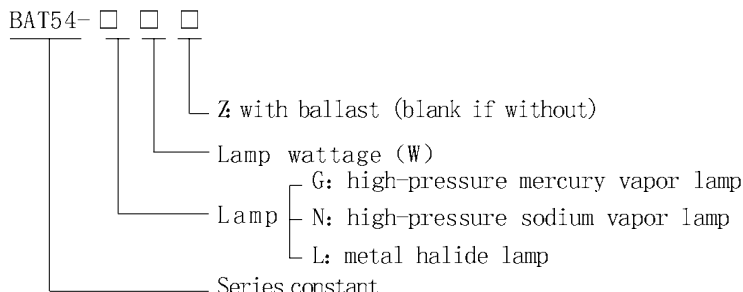
For use in hazardous area Zone 2.

IIA, IIB and IIC explosive gas atmospheres.

Typical application includes chemical and petrochemical processing facilities, off-shore and dockside installations, military industry and warehouse.



◇ Catalog number logic



◇ Features

- 1 Housings die-cast aluminum alloy welded, lightweight, nice looking and corrosion-free.
- 2 Toughened glass transparent door frame, 4J impact and over 98% light transmittance.
- 3 Seal is designed in conjunction between cover and housings, agraffe applied for fixture, providing easy opening and maintenance.
- 4 All external hardware-stainless steel for resistance to corrosion.
- 5 Adjustment at an elevation of 45 degree to 90 degree.
- 6 Included 400 type and 1000 type upon lamp wattage.
- 7 For use with sodium, metal halide, mercury vapor lamps of E40 lamp holder.
- 8 Cable wiring of G3/4" .

◇ Technical data

Description	Power	Lamp available	Hub size	Cable O. Dφ(mm)	Lamp holder	Marking	Corrosion Protection	Protection	Weight (kg)
BAT54- □ 400	50Hz AC220V	High-pressure mercury vapor lamp: 250W、400W High-pressure sodium vapor lamp: 250W、400W Metal halide lamp: 250W、400W	G3/4"	10~14	E40	⊕ II 2G EExnR II T3	WF 1	IP66	7.2
BAT54- □ 1000		High-pressure sodium vapor lamp: 1000W Metal halide lamp: 1000W				⊕ II 2G EExnR II T2			10.5

◇ Ordering information

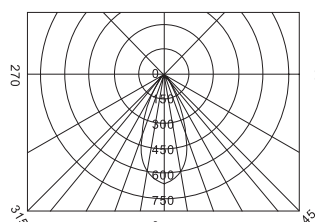
- 1 Select the product according to catalog number logic such as proper lamp and lamp wattage etc.
- 2 Please note if any special requirements for power.
- 3 Lamp is not included when ex-works. Please adopt suitable lamp, technical requirements provided for reference, PHILIPS is recommended.
- 4 Explosion-proof ballast is not included when ex-work, should be ordered separately. Details of BAZ51 explosion-proof ballast can be found in the catalogue.
- 5 Ordering example:
Enquiry: 250W sodium lighting, with explosion-proof ballast, AC220V/50Hz
Ordering code: BAT54-N250Z
- 6 We reserve the power of final interpretation and to make alterations to the technical data, weights, dimensions, designs and products available without notice.

◇ Compliances

94/9/EC instruction
IEC 60079-0, IEC 60079-15
EN 50014, EN 50021
GB 3836.1-2000, GB 3836.8-2003

◇ Certificates of conformity No. :

CE051048

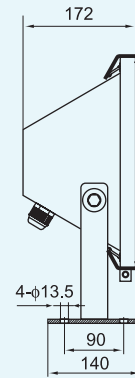
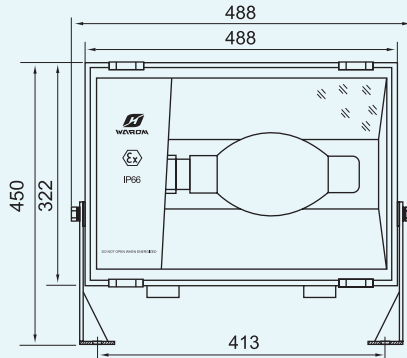


Luminous intensity distribution cd/1000lm

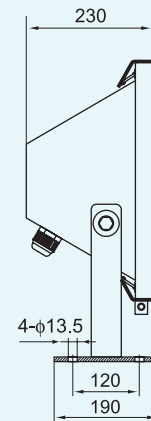
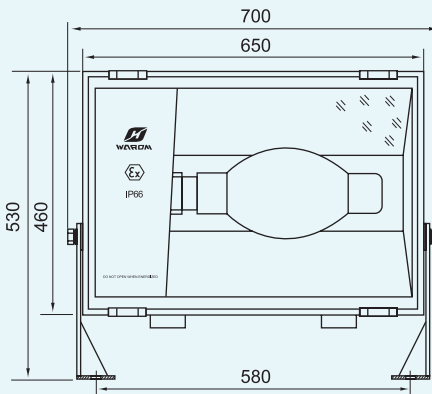


◇ Ordering information

LIGHTING



BAT54- □ 400



BAT54- □ 1000