



BAD62 series flameproof lighting is our latest updated, entitled with exclusive property right and related patents. It conforms to IEC, EN standard and 94/9/EC instruction.

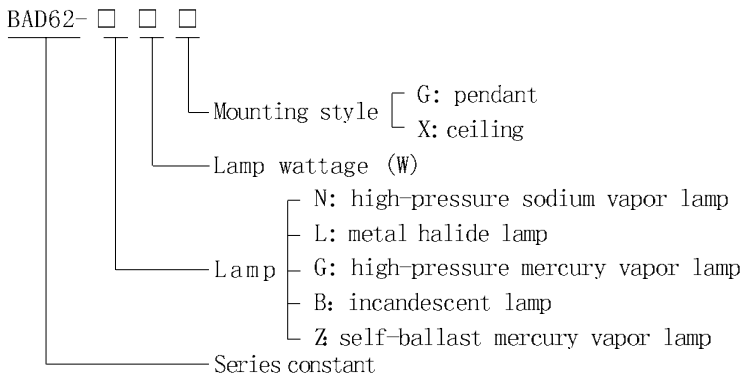
BAD62 series lighting has passed type test by CNAACL and has gained CNAACL certificate of conformity.

For use in hazardous area Zone 1, Zone 2 and Zone 20, Zone 21, Zone 22; IIA, IIB and IIC explosive gas atmospheres.

Typical application includes chemical and petrochemical processing facilities, off-shore and dockside installations, military industry and warehouse.



## ◇ Catalog number logic



## ◇ Features

1. Housings made of die-cast aluminum alloy with semi-auto hydraulic facilities one-off formation under high temperature and high-pressure for strength and resistance to corrosion. Most compact in size and smooth in surface.
2. Roboblast and epoxy resin finish by semi-auto high-voltage electrostatic spray applied for housings, corrosion-free and exposure free.
3. Toughened glass applied for transparent globe for 4J impact and over 98% light transmittance.
4. Glass globe guard supplied with galvanized, epoxy resin finish for resistance to corrosion.
5. All external hardware-stainless steel for resistance to corrosion.
6. Included 250 type and 400 type upon lamp wattage.
7. For use with sodium, metal halide, incandescent and mercury vapor lamps of E40 lamp holder.
8. Pendant and ceiling mounting style for option, easy maintenance.
9. Both steel pipe wiring and cable wiring are available.

## ◇ Technical data

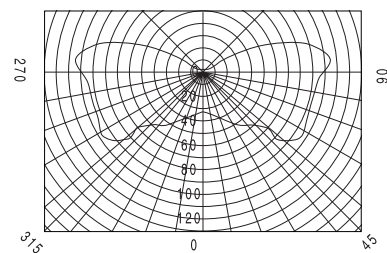
Description	Power	Lamp available	Hub size	Cable O. Dφ(mm)	Lamp holder	Marking	Corrosion Protection	Protection	Weight (kg)
BAD62- □ 250	AC220V 50Hz	Incandescent lamp: 300W Self-ballast mercury vapor lamp: 250W Metal halide lamp: 175/250W High-pressure sodium vapor lamp: 150/250W High-pressure sodium vapor lamp: 150/250W	G3/4"	10~14	E40	Ex II 2G EExd II CT3	WF 1	IP65	6.6
BAD62- □ 400		Self-ballast mercury vapor lamp: 450W Metal halide lamp: 175/250W High-pressure mercury vapor lamp: 400W High-pressure sodium vapor lamp: 400W							13.5

## ◇ Compliances

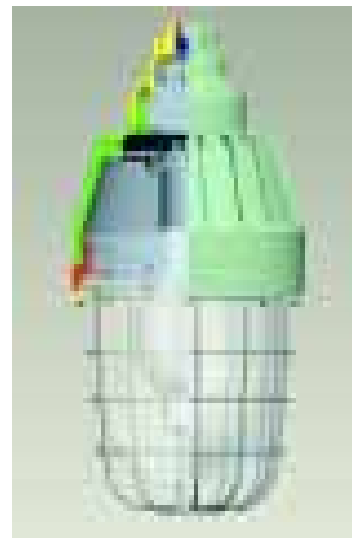
94/9/EC instruction  
IEC 60079-0, IEC 60079-1  
EN 50014, EN 50018  
GB 3836.1-2000, GB 3836.2-2000

## ◇ Certificates of conformity No. :

8010513

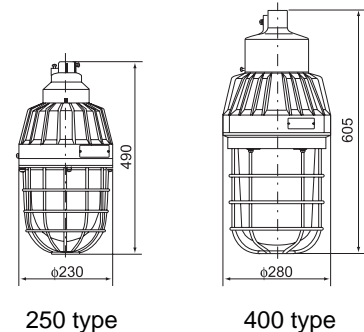


Luminous intensity distribution cd/1000lm

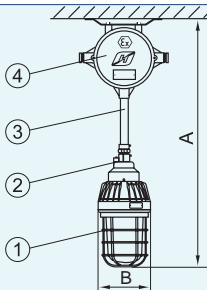


### ◇ Dimension versions

Description	Pendant(mm)	Ceiling(mm)	Accessories for installation
	A × B	A × B	
BAD62- □ 250	1020 × φ230	720 × φ230	BHD explosion-proof terminal box is included, available with incandescent lamp and self-ballast mercury lamp.
BAD62- □ 400	1140 × φ280	840 × φ280	
BAD62- □ 250	1040 × φ230	740 × φ230	BAZ51 explosion-proof ballast is included, available with high pressure mercury vapor lamp, high-pressure sodium vapor lamp and metal halide lamp.
BAD62- □ 400	1160 × φ280	860 × φ280	



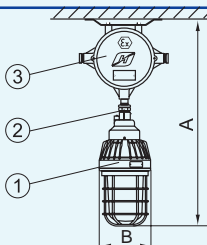
### Pendant



Srl. No.	Description	Qty	Specification
①	Explosion-proof lighting	1	BAD62- □□G (lamp is not included when ex-work).
②	Shaft coupling	1	Included with lightings when ex-work.
③	Pipe G3/4"	1	
④	Explosion-proof ballast/explosion-proof terminal box	1	Not included—must be ordered separately. BAZ51 explosion-proof ballast and BHD explosion-proof terminal box are recommended in our catalogue, please check it for details.

Remarks: All mounting fasteners are equipped by user.

### Ceiling



Srl. No.	Description	Qty	Specification
①	Explosion-proof lighting	1	BAD62- □□X (lamp is not included when ex-work).
②	Flexible coupling	1	Included with lightings when ex-work.
③	Explosion-proof ballast/explosion-proof terminal box	1	Not included—must be ordered separately. BAZ51 explosion-proof ballast and BHD explosion-proof terminal box are recommended in our catalogue, please check it for details.

Remarks: All mounting fasteners are equipped by user.

### ◇ Power connection and lamp installation

- 1 Screw the mounting box open, through the mounting box opening, cable is connected to lamp holder. Earthing bolt supplied with mounting box inside and outside. The lighting works after reliable grounding.
- 2 Lamp of proper power selected according to the description on nameplate. Lamp of other power is not available! Loosen hinged bolt, open transparent globe, screw the lamp into the holder, and tighten for good contact, close the globe and screw the hinged bolt tight.
- 3 Detailed information please see page 5-6.

### ◇ Ordering information

- 1 Select the product according to catalog number logic such as proper lamp, lamp wattage and mounting style.
- 2 Please note if any special requirements for power.
- 3 Lamp is not included when ex-works. Please adopt suitable lamp, technical requirements provided for reference, PHILIPS is recommended.
- 4 Ordering example:  
Enquiry: 250W sodium lamp, ceiling mounting, AC220V/50Hz  
Ordering code: BAD62-N250X.
- 5 We reserve the power of final interpretation and to make alterations to the technical data, weights, dimensions, designs and products available without notice.