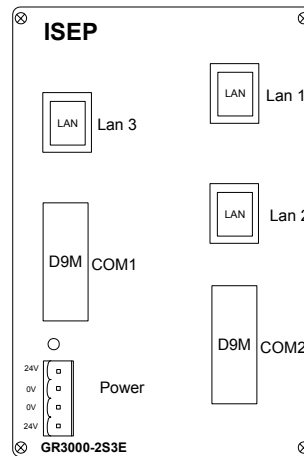


## Model: GR3000-2S3E

### Descriptions:

x86 Controller with 2xRS232, 3xLAN (Pre-load with Freesco Linux Router Distribution)

Applications: Ready for use as a Router, with many other Freesco add-on softwares available from [www.freescosoft.com](http://www.freescosoft.com).



Front Panel View

### 1.0 Hardware

#### CPU:

x86 System-on-Chip CPU-166MHz

Real Time Clock with Lithium Battery Backup

128MB SDRAM

32 MB IDE DOM

#### Interfaces:

3 x Realtek 8100B 32-bit PCI Full Duplex Ethernet Controller 10/100Mbps

2 x RS232 port

Operating Temperature: 0 to 70 degC

Power Requirements: 9 to 36 VDC

Power Consumption: 6 watts

Physical Dimension: 81W x 120H x 102 D (mm)

### 2.0 Software: Preloaded with Freesco 0.3.5 with following defaults:

#### Default parameters

Lan port 1 IP : 192.168.1.2

Lan port 2 IP : 192.168.2.2

Lan port 3 IP : 192.168.3.2

Login username : root password : root123

Setup username : admin password : root123

Com1 setup as Console port at 19200,8,N,1

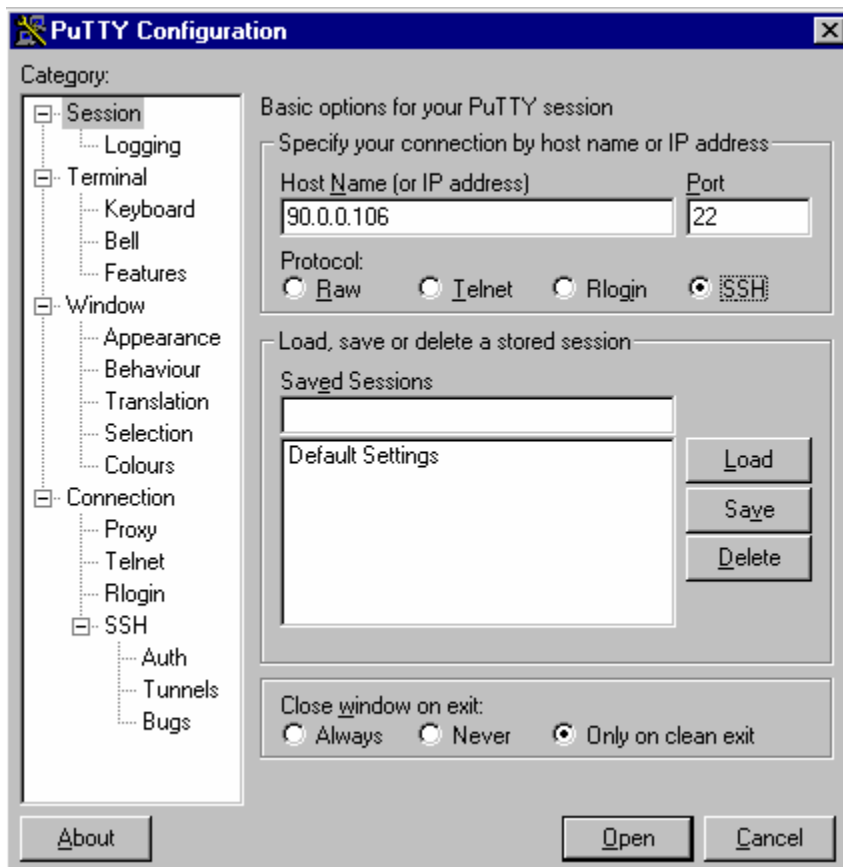
### 3.0 Quick Start Guide

#### Configuration via Serial Port

- 3.1 Connect a Hyper terminal to the COM1 using the crossed RS232 cable.
- 3.2 Set the port settings at 19200,8,N,1
- 3.3 Avoid using this method of configuration as function keys are not supported by window hyper terminal software. Therefore in settings that requires Edit of system files. F10 to exit cannot be used. This should only be use to check the IP address (ifconfig) so that you know with IP to use for the SSH Putty.exe connection.
  
- 3.4 Press <enter> to bring up the login prompt  
Login name : root Password : root123
  
- 3.5 To check IP address type ifconfig  
This would list out the interface name and its settings

#### Configuration via Ethernet SSH Putty

- 1) Connect a PC to the LAN port using cross cable or via Ethernet switch.
- 2) Run the Putty.exe program
- 3) Key in the IP address of the GR3000-2S3E and select SSH



- 4) Click Open and wait. Once connected you'll see the login prompt.  
Login name : root    Password : root123
- 5) Once login, type setup to go into the setup menu.

Common commands:

- 1) Setup                               : to go into setup menu
- 2) ifconfig                           : to check the network interface settings
- 3) ifconfig | more                   : to list network interface page by page
- 4) cat /var/messages               : to list the system messages
- 5) reboot                             : to restart after changing config
- 6) exit                                : to close session

Documented by  
Koo CH  
30 May 2006